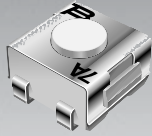


\*ROHS COMPLIANT



**BOURNS®**

## Features

- Compatible with most surface mount soldering processes
- Compatible with popular vacuum pick-and-place equipment
- J-hook, gull-wing & pinned configurations
- Sealed for board washing
- Meets EIA/EIAJ/IPC/VRCI SMD standard outline dimensions
- Top or side actuated
- RoHS compliant\*

## 7914 4 mm SMD & Through-hole Sealed Key Switch

### Electrical Characteristics

Contact Rating  
 Maximum Current ..... 100 mA max.  
 Maximum Voltage ..... 16 V  
 Contact Resistance ..... 100 milliohms max.  
 Insulation Resistance .. 100 megohms min.  
 Dielectric Strength ..... 250 VAC

### General Characteristics

Switch Type ..... Normally open  
 Operating Temperature Range  
 ..... -55 °C to +125 °C  
 Storage Temperature Range  
 ..... -55 °C to +125 °C  
 Seal Test ..... 85 °C Fluorinert†  
 Vibration ..... 20 G  
 Shock ..... 100 G

### Mechanical Characteristics

Actuator Force ..... 300 ± 100 g  
 Pushover Strength (S Style)  
 ..... 2 kilograms minimum  
 Cycle life, loaded ..... 100,000 actuations  
 Contact resistance ..... 100 milliohms max.

### Physical Characteristics

Cover Material ..... Stainless steel  
 Base Material ..... Thermoplastic, UL94V-0  
 Terminal Material ..... Phosphor bronze  
 Dome Material ..... Stainless steel  
 Actuator Material ..... High temperature silicon rubber  
 Marking ..... Manufacturer's code and date code

### Packaging Options

J & G ..... 500 pcs./reel; 50 pcs./tube  
 S ..... 200 pcs./reel  
 H ..... 50 pcs./tube

### How to Order

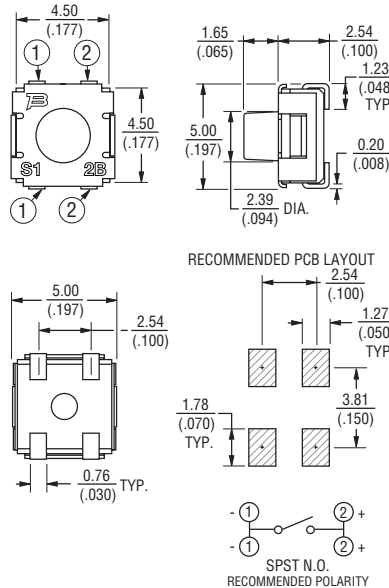
**7914 J - 1 - 000 E**

Model \_\_\_\_\_  
 Terminal \_\_\_\_\_  
 J = J-Hook H = Through-hole  
 G = Gull Wing S = Right Angle  
 Switch Type \_\_\_\_\_  
 1 = N.O. Au Contacts  
 Product Code for Button Height  
 (For Styles J, G and H)  
 000 = 4.0 mm FMS  
 024 = 2.4 mm FMS (Flush Actuator)  
 032 = 3.2 mm FMS  
 050 = 5.0 mm FMS (Tube packaging only)  
 (For Style S)  
 000 = 1.68 mm FTS  
 032 = 0.91 mm FTS  
 024 = Flush Actuator  
 050 = 2.7 mm FTS (Tape & Reel packaging only)  
 Embossed Tape \_\_\_\_\_  
 (Option applicable to Styles J, G and S only -  
 Consult factory. Omit for Style J & G tube  
 packaging.)  
 G, J = 500 pcs./reel S = 200 pcs./reel

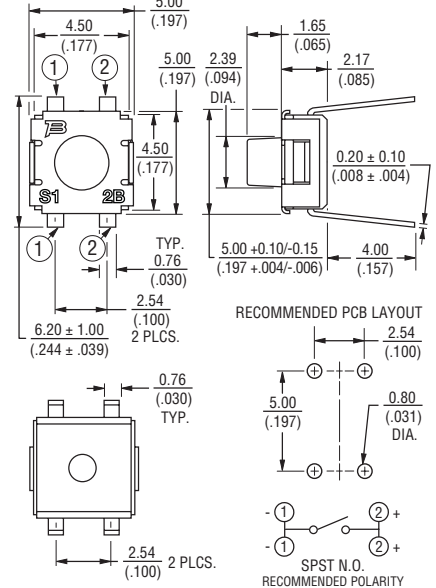
FMS = From Mounting Surface  
 FTS = From Top Surface

### Product Dimensions

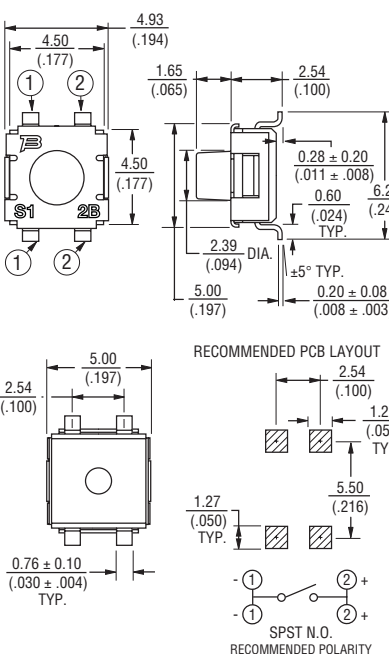
**7914J  
J-Hook**



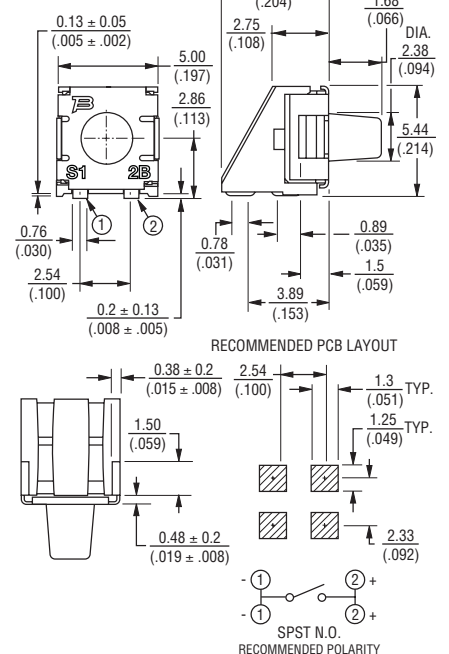
**7914H  
Through-hole**



**7914G  
Gull Wing**



**7914S  
Right Angle**



DIMENSIONS:  $\frac{\text{MM}}{\text{(INCHES)}}$  TOLERANCES:  $\pm 0.2$   
 (0.08) EXCEPT WHERE NOTED.

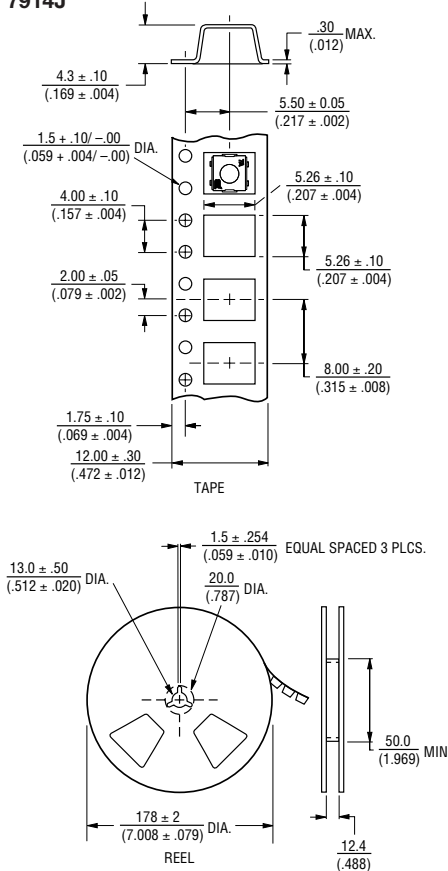
\*RoHS Directive 2002/95/EC Jan 27 2003 including Annex.  
 †"Fluorinert" is a registered trademark of 3M Co.  
 Specifications are subject to change without notice.  
 Customers should verify actual device performance in their specific applications

# 7914 4 mm SMD & Through-hole Sealed Key Switch

**BOURNS®**

## Packaging Specifications

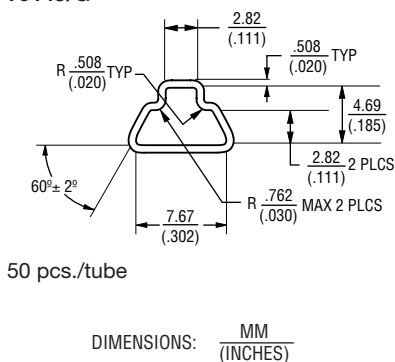
**7914J**



Meets EIA specification 481.

500 pcs./reel

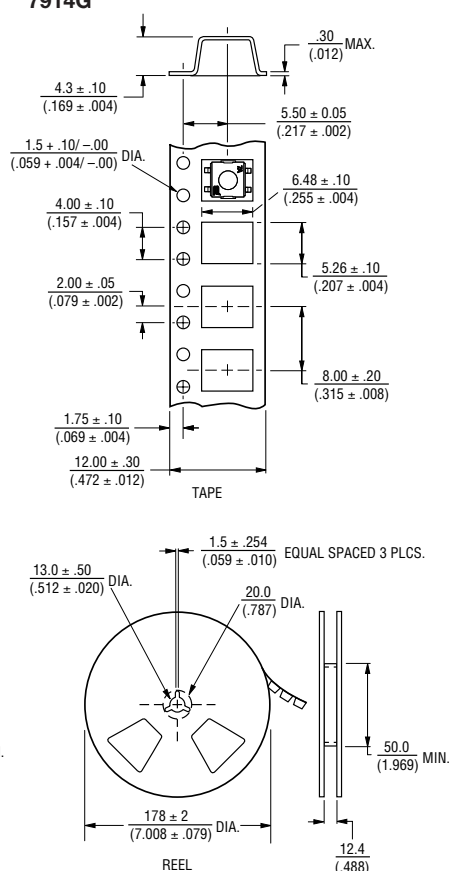
**7914J/G**



50 pcs./tube

DIMENSIONS:  $\frac{\text{MM}}{\text{(INCHES)}}$

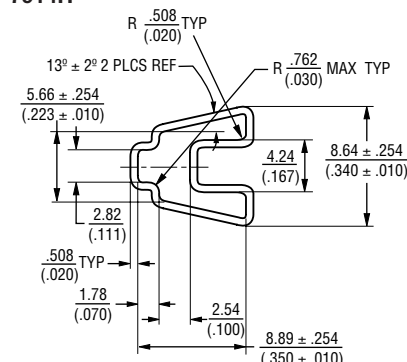
**7914G**



Meets EIA specification 481.

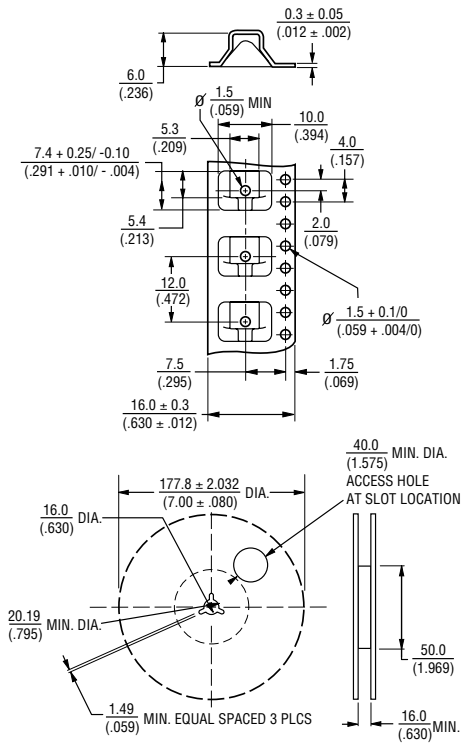
500 pcs./reel

**7914H**



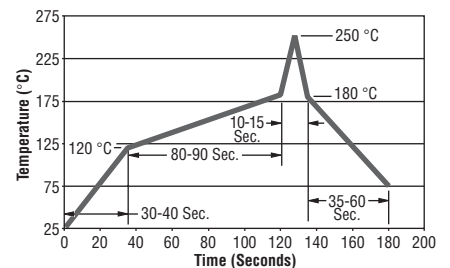
50 pcs./tube

**7914S**



200 pcs./reel

## Reflow Soldering Profile



REV. 09/09

Specifications are subject to change without notice.  
Customers should verify actual device performance in their specific applications